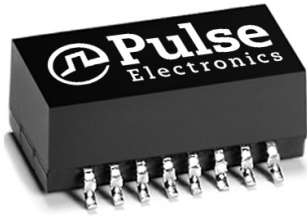


10/100Base-T Single Port Surface Mount Magnetics

With Various Turns Ratios



- RoHS peak reflow temperature rating: 245°C
- Meets IEEE 802.3 specification
- Compact footprint for use in the most space-restrictive applications

Electrical Specifications @ 25°C - Operating Temperature 0°C to 70°C

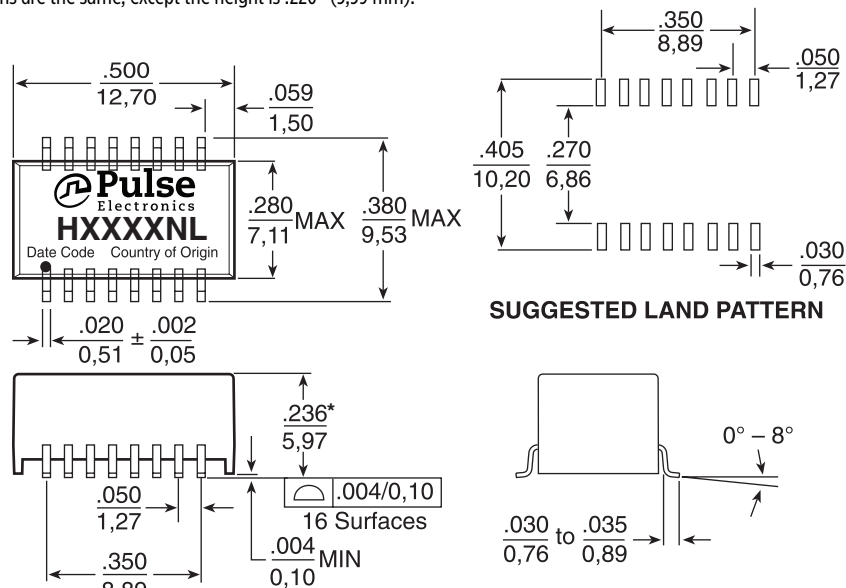
Part Number ²	Turns Ratio		Insertion Loss 100 kHz-100 MHz	Return Loss (dB TYP)			Differential to Common Mode Rejection (dB TYP)			Crosstalk (dB TYP)			Hipot (Vrms MIN)
	TX	RX		30 MHz	60 MHz	80 MHz	30 MHz	50 MHz	100 MHz	30 MHz	60 MHz	100 MHz	
HT100NL ^{3a}	2:1	1:1	-1.1	-20	-14	-11.5	-42	-37	-33	-45	-40	-35	1500
HT101NL ^{3a}	1.25:1	1:1	-1.1	-20	-14	-11.5	-42	-37	-33	-45	-40	-35	1500
HT102NL ^{3a, 4}	1:1	1:1	-1.1	-20	-14	-11.5	-42	-37	-33	-45	-40	-35	1500
HT121NL ^{3a}	1:1.414	1:1	-1.1	-18	-12	-11.5	-42	-37	-30	-45	-40	-35	1500
HT183NL ^{3a, 4}	1:1	1:1	-1.0	-18	-14	-12	-40	-40	-40	-35	-35	-35	1500
HT199NL ^{3a}	1:1	1:1	-0.9	-18	-12	-11	-40	-35	-30	-45	-45	-37	1500
HX1188NL ^{1, 3a, 4}	1:1	1:1	-1.0	-20	-14	-12	-42	-37	-32	-45	-40	-35	1500
HX1198NL ^{1, 3a, 4}	1:1	1:1	-1.0	-20	-14	-12	-42	-37	-32	-45	-40	-35	1500
HT302NL ^{3a}	1:1	1:1	-1.1	-16	-10	-10	-42	-37	-32	-35	-30	-30	1500

- Operating temperature -40°C to +85°C
- For Tape & Reel packaging, add a "T" suffix at the end of the part number when ordering, e.g. HT102NLT.
- MSL = Moisture Sensitivity Level a=1 b=2 c=3 d=4
- Suitable for Aut-MDIX applications

Mechanical

HT100NL, HT101NL, HX1102NL, HT121NL, *HT183NL, HT199NL, HX1188NL, HX1198NL, HT302NL

* For part number HT183NL, all dimensions are the same, except the height is .220" (5,59 mm).



Dimensions: Inches / mm

Unless otherwise specified, all tolerances are ± .010 / 0,25

Weight0.9 grams
 Tube40/tube
 Tape & Reel600/reel

USA 858 674 8100

Germany 49 7032 7806 0

Singapore 65 6287 8998

Shanghai 86 21 62787060

China 86 755 33966678

Taiwan 886 3 4356768

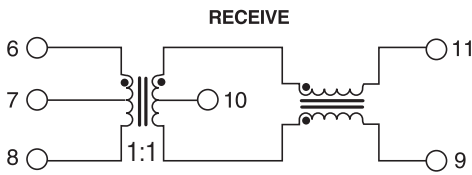
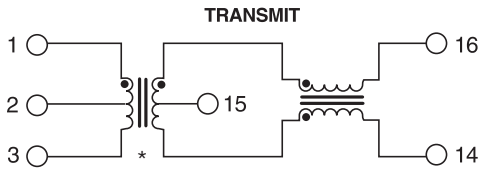
10/100Base-T Single Port Surface Mount Magnetics

With Various Turns Ratios



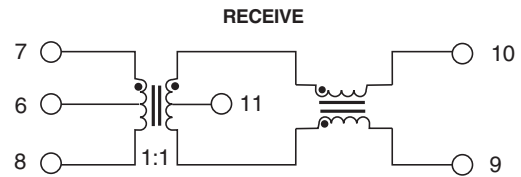
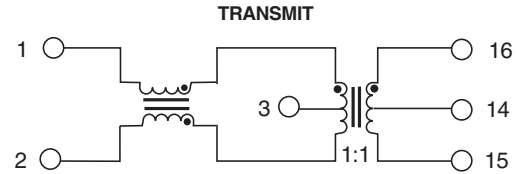
Schematics

H1100NL, H1101NL, H1102NL, H1121NL, HX1183NL

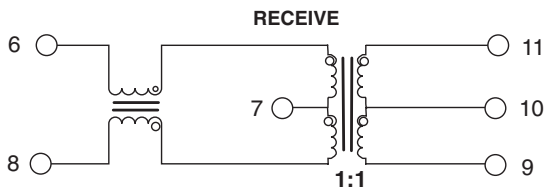
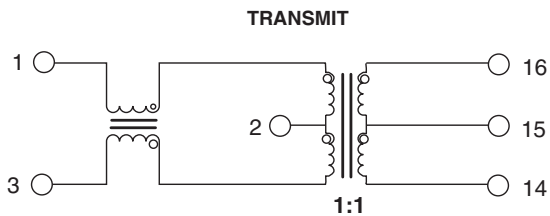


*See main table for Transmit turns ratio

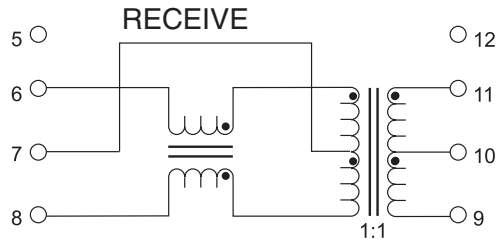
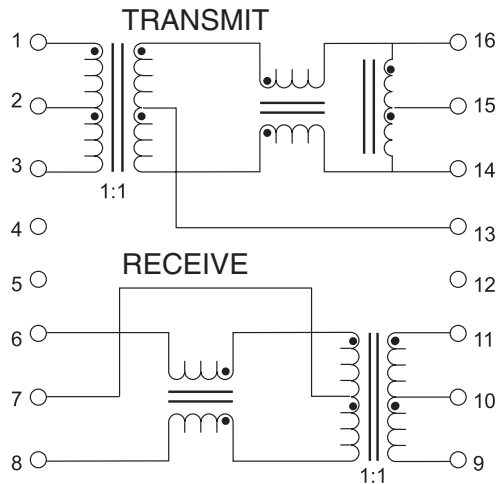
H1199NL



HX1198NL, H1183NL



H1302NL

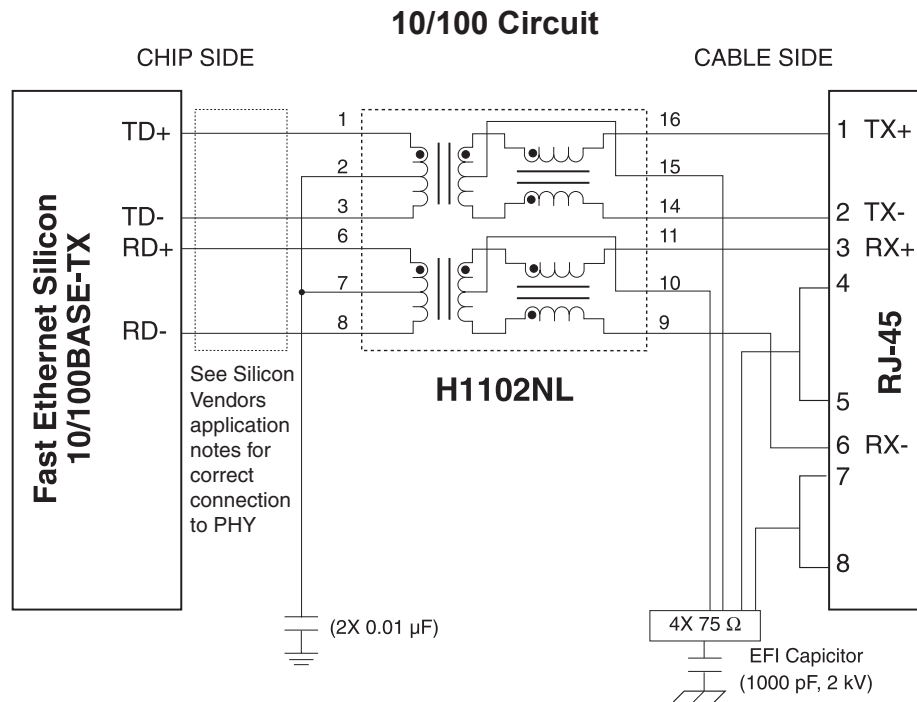


10/100Base-T Single Port Surface Mount Magnetics

With Various Turns Ratios

Typical Application Circuit

H1102NL



For More Information

Pulse Worldwide Headquarters
12220 World Trade Drive
San Diego, CA
92128
U.S.A.

Tel: 858 674 8100

Pulse Europe
Einsteinstrasse 1
D-71083 Herrenberg
Germany

Tel: 49 7032 7806

Pulse China Headquarters
B402, Shenzhen Academy of
Aerospace Technology Bldg.
10th Kejinan Road
High-Tech Zone
Nanshan District
Shenzen, PR China
518057

Pulse North China
Room 2704/2705
Super Ocean Finance
Ctr.
2067 Yan An Road
West
Shanghai 200336
China

Pulse South Asia
135 Joo Seng Road
#03-02
PM Industrial Bldg.
Singapore 368363

Tel: 65 6287 8998
Fax: 65 6287 8998

Pulse North Asia
3F, No. 198
Zhongyuan Road
Zhongli City
Taoyuan County 320
Taiwan R. O. C.
Tel: 886 3 4356768
Fax: 886 3 4356823
(Pulse)

Performance warranty of products offered on this data sheet is limited to the parameters specified. Data is subject to change without notice. Other brand and product names mentioned herein may be trademarks or registered trademarks of their respective owners. © Copyright, 2011. Pulse Electronics, Inc. All rights reserved.